

Adir manual filters- Installation and Maintenance Instructions

- 1. Adir manual filters sizes 1"- 1.5"Pg.2-3
- 2. Adir manual filters sizes 2"-3"Pg. 4-5

ADIR 1" S – 1.5" Manual Filters

Installation and maintenance instructions

ADIR filters combine high quality with large filtering area and low head loss making them ideal for high flows and large quantities of dirt.

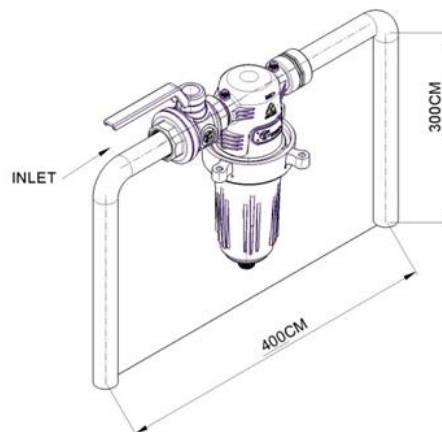
Installation

- Filters can be installed in any orientation.
- Pay attention that the filter will not be harmed by machinery or by people
- Ensure proper flow direction depends on the filter element.
- Flow direction for disc and screen are clearly marked on the filter body.

Size	1" S, 1.5"
Pressure rating	6 Bar (85 psi) - Grey 10 Bar (140 psi) - Black
Locking ring	No tools required
Filter Elements	Grooved plastic discs. Stainless Steel weave wire screen
Body	Equipped with pressure testing ports. Drain Valve optional
Threads	BSPT or NPT

Warning – If water flow is in the wrong direction, filter element can be damaged.

- Use Teflon tape or silicon sealing material on the inlet and outlet threads.
- Do not overtighten when connecting the filter to the pipes.
- Install a shut off valve before the filter to enable easy cleaning.
- It is recommended to install a drain valve at the filter drain port.



Size		1" S	1.5"
Flow rate	M ³ /h (gpm)	8 (35)	15 (66)
Screen filtration area	Cm ² (inch ²)	425 (66)	425 (66)
Disc filtration area	Cm ² (inch ²)	500 (77)	500 (159)

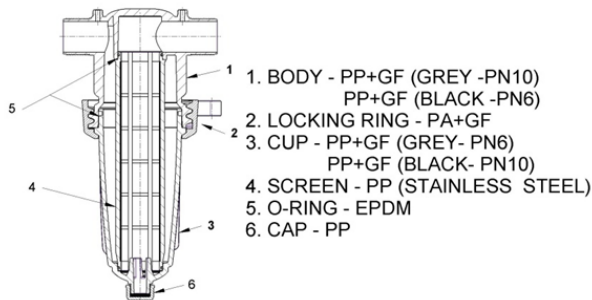
Maintenance

- Cleaning of the filter element is required when head loss between inlet and outlet reaches 0.5 – 0.7 Bar (7- 10 psi). Use differential pressure gauge (not included) to measure.
- Close the valve at the filter inlet.
- Drain the filter by opening the drain valve or cap located at the bottom of the filter cup.

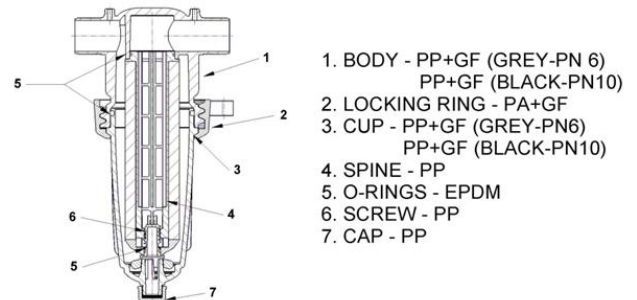
Warning – Never open the filter under pressure.

- Open the locking ring (no tools are required) and remove the filter cup.
- Screen – pull the screen element and rinse thoroughly with water, a bristle brush may be used to remove particles. **DO not use wire brush.** When the screen is clean, replace it in the filter body.
- Disc element – The disc element remains attached to the filter body. Open the nut by twisting it clockwise until discs are loose. Flush the discs with a stream of water and spin them with the stream or by hand to make sure the dirt is removed. At the end of flushing close the nut counterclockwise, **using hands only**, until the disc elements are tightened.
- **Please note** - the disc element can be removed from the filter body by turning it slightly and pulling. In order to replace it in its position just push it firmly into its socket.
- When the element is clean put the filter cup into the locking nut and lock the ring, tightening the cup to the body.
- Close the flushing valve and open slowly the inlet valve allowing water to enter the filter.

ADIR 1" - 1.5" - SCREEN



ADIR 1" - 1.5" - DISK



Element Type and Mesh color code

Mesh/Micron	40/425	80/200	120/120	140/105	155/90	200/70
Screen		Blue	Red		Green	Violet
Disk	Dark Blue	Yellow	Red	Black		

*Mesh count per linear inch.

**Micron in approximate values may vary between element types

ADIR 2"- 3" Manual Filters Installation and maintenance instructions

ADIR filters combine high quality with large filtering area and low head loss making them ideal for high flows and large quantities of dirt.

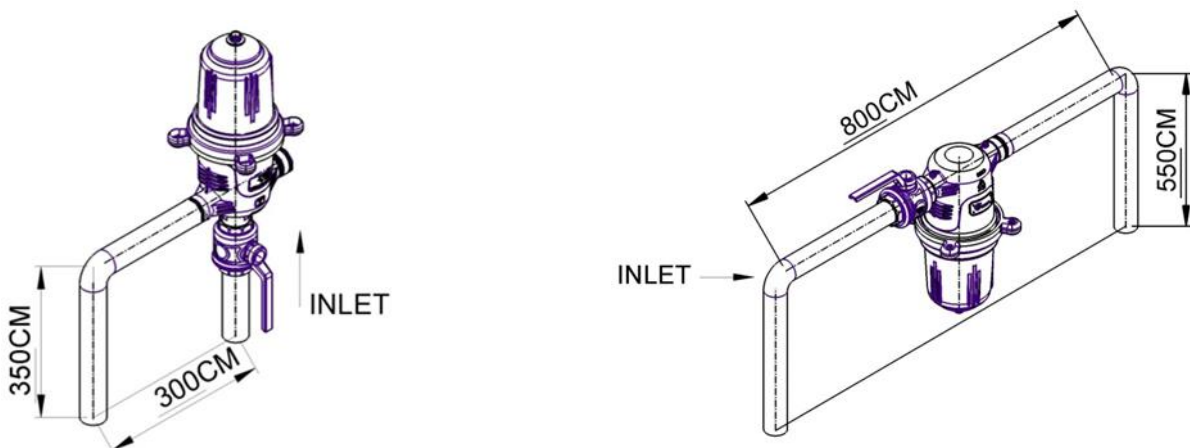
Installation

- Filters can be installed in any orientation.
- Pay attention that the filter will not be harmed by machinery or by people.
- Ensure proper flow direction depends on the filter element.
- Flow direction for disc and screen are clearly marked on the filter body.

Size	2"S, 3"
Pressure rating	6 Bar (85 psi) - Grey 10 Bar (140 psi) - Black
Locking ring	No tools required
Disc Element	Secured to the body & extends for easy cleaning.
Body	Equipped with pressure testing ports. Drain Valve optional
Threads	BSPT or NPT

Warning – If water flow is in the wrong direction, filter element can be damaged.

- Use Teflon tape or silicon sealing material on the inlet and outlet threads.
- Do not overtighten when connecting the filter to the pipes.
- Install a shut off valve before the filter to enable easy cleaning.
- It is recommended to install a drain valve at the filter drain port.



Size		2"S	3"
Flow rate	M ³ /h (gpm)	25 (110)	50 (220)
Screen filtration area	Cm ² (inch ²)	950 (147)	950(147)
Disc filtration area	Cm ² (inch ²)	1025(159)	1025 (159)

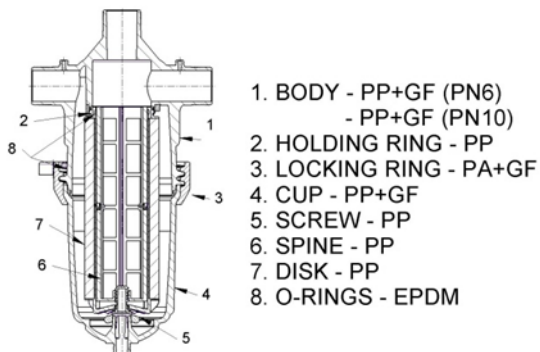
Maintenance

- Cleaning of the filter element is required when head loss between inlet and outlet reaches 0.5 – 0.7 Bar (7- 10 psi). Use differential pressure gauge (not included) to measure.
- Close the valve at the filter inlet.
- Drain the filter by opening the drain valve or cap located at the bottom of the filter cup.

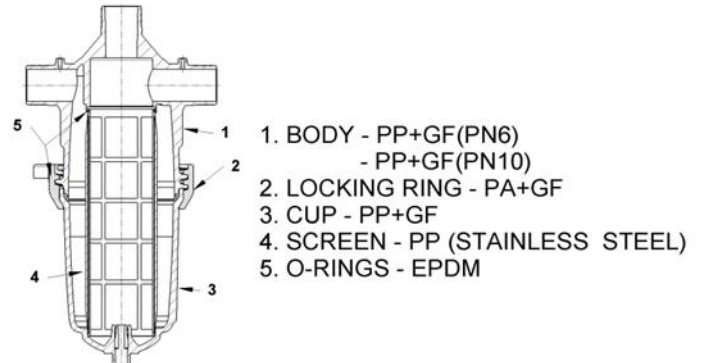
Warning – Never open the filter under pressure

- Open the locking ring (no tools are required) and remove the filter cup.
- Screen – pull the screen element and rinse thoroughly with water, a bristle brush may be used to remove particles. **DO not use wire brush.** When the screen is clean, replace it in the filter body.
- Disc element – The disc element remains attached to the filter body. Open the nut by twisting it clockwise until discs are loose. Flush the discs with a stream of water and spin them with the stream or by hand to make sure the dirt is removed. At the end of flushing close the nut counterclockwise, **using hands only**, until the disc elements are tighten.
- **Please note** - the disc element can be removed from the filter body by turning it slightly and pulling. In order to replace it in its position just push it firmly into its socket.
- When the element is clean put the filter cup into the locking nut and lock the ring, tightening the cup to the body.
- Close the flushing valve and open slowly the inlet valve allowing water to enter the filter.

DISK FILTER 2" -3"



SCREEN FILTER 2"-3"



Element Type and Mesh color code

Mesh/Micron	40/425	80/200	120/120	140/105	155/90	200/70
Screen	Dark Blue	Blue	Red		Green	Violet
Disk	Dark Blue	Yellow	Red	Black		

*Mesh count per linear inch.

**Micron in approximate values may vary between element types.