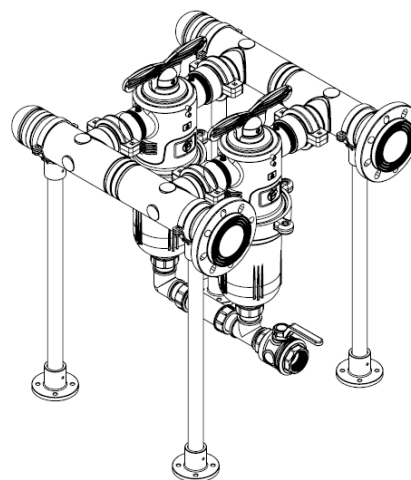
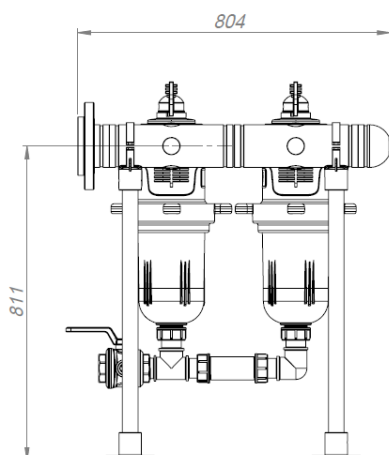


ADIR Semi – Automatic Disc filters batteries Model TDSB

TAVLIT expands its offering with standard filter batteries for various flow rates. The batteries are supplied complete with all components and are ready for field installation. The flexibility of the solutions offered by TAVLIT enables users to have the perfect solutions for their needs in a cost-effective solution.

Applications

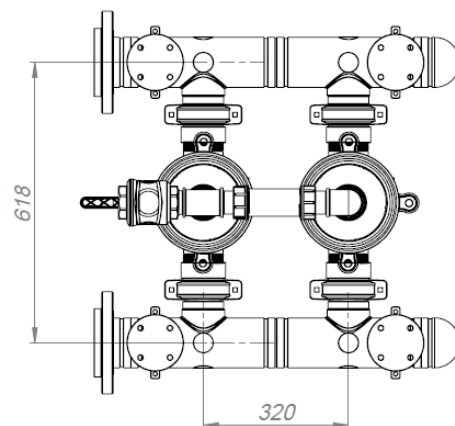
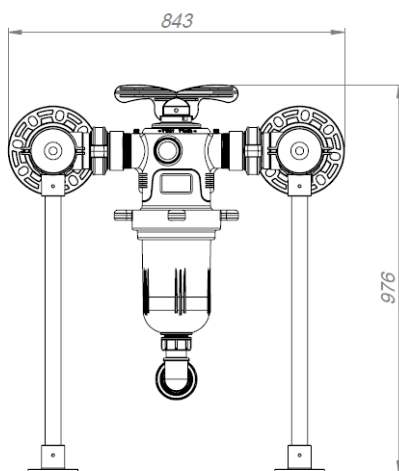
- For AG, turf and landscape irrigation when higher flows are used.
- Most suitable for low quality water.
- Enables the user to perform flushing without dismantling the filter.
- Applicable when water supply cannot be interrupted even during flushing.
- Simple and economical solution.
- Customizable according to client requirements.



TDSB01-19.Ver 5-23--Eng

Technical information

- Available batteries 2–6 units of the TAVLIT all plastic semi - automatic Disc filter TDS
- Recommended flow rates 40-200 m³/h **180-900**gpm.
- Max. operating pressure 10 bar; (145psi).
- Batteries are supplied with Flanged connection for easy installation.
- An air release valve should be installed at the inlet to our filtration system on the top elbow at the system inlet.
- A butterfly manual valve should be installed at the system inlet.
- In order to drain the flush water from the secondary filter, of the semi - automatic disc filter, (TDS), a 20 mm pipe should be connected to the ½" valve located at the screen flushing port of each of the filters.
- The pipe must be at the lower end of the battery.
- This pipe can be connected to the drain pipe of the filters flushing.
- Drainage manifold should be connected to a 50mm or **63**mm PE pipe.
- Pipe should no longer than 5 meters.
- Pressure indicator, installed on the filter battery clearly shows when the battery is dirty and a flushing cycle should be initiated.
- Flushing is performed one filter after the other.
- Water supply to the field in uninterrupted during flushing.
- A flushing cycle should be initiated once a day



TDSB01-19.Ver 5-23--Eng