

ADIR Semi – Automatic Screen filters batteries Model TSB

TAVLIT expands its offering with standard filter batteries for various flow rates. The batteries are supplied complete with all components and are ready for field installation. The flexibility of the solutions offered by TAVLIT enables users to have the perfect solutions for their needs in a cost-effective solution.

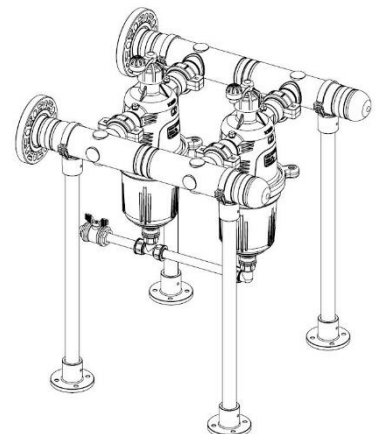
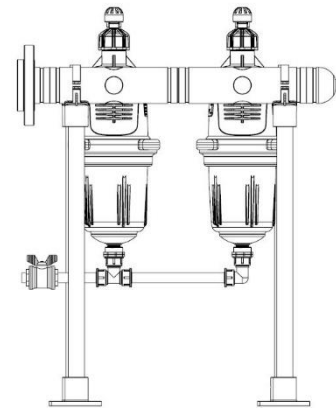


Applications

- For AG, turf and landscape irrigation when higher flows are used.
- Most suitable for low quality water.
- Enables the user to perform flushing without opening the filter housing.
- Applicable when water supply cannot be interrupted even during flushing.
- Simple and economical solution.
- Customizable according to client requirements.

Technical information

- Available batteries 2–6 units of the TAVLIT all plastic semi-automatic Screen filter TS.
- Recommended flow rates 40-200 m³/h; (180-900 GPM).
- Max. operating pressure 10 bar; (145 psi).
- Batteries are supplied with Flanged connection for easy installation.
- An air release valve should be installed at the inlet to our filtration
- Drainage manifold should be connected to a 50mm or 63 mm PE pipe.
 - Pipe should no longer than 5 meters.
- Pressure indicator, installed on the filter battery clearly shows when the battery is dirty and a flushing cycle should be initiated.
- Flushing is performed one filter after the other.
- Water supply to the field in uninterrupted during flushing.
- A flushing cycle should be initiated once a day



TSB01-19.Ver 5-23.ENG